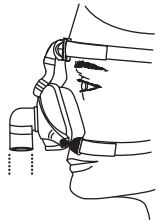
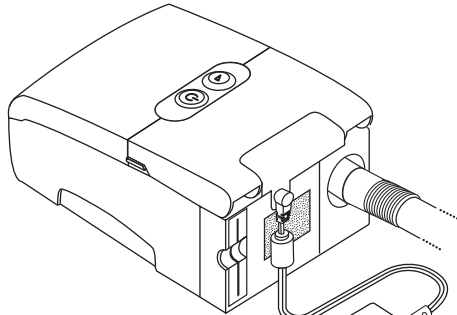
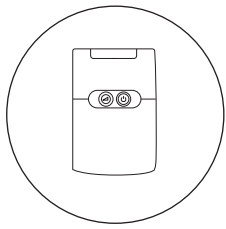
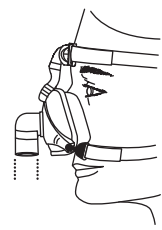
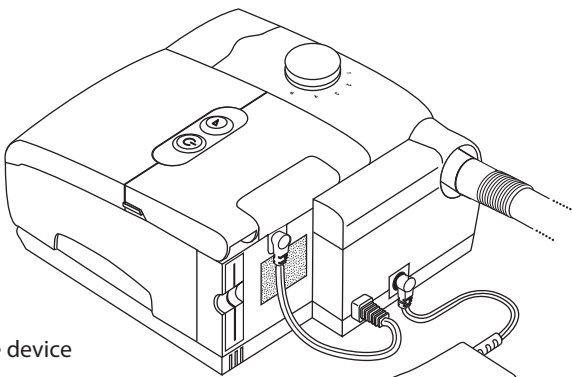
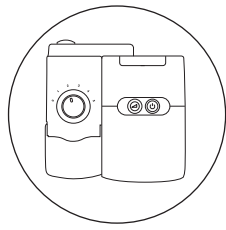
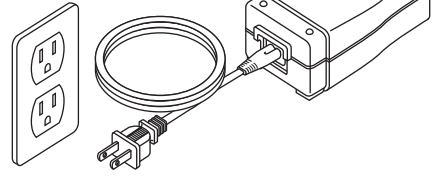




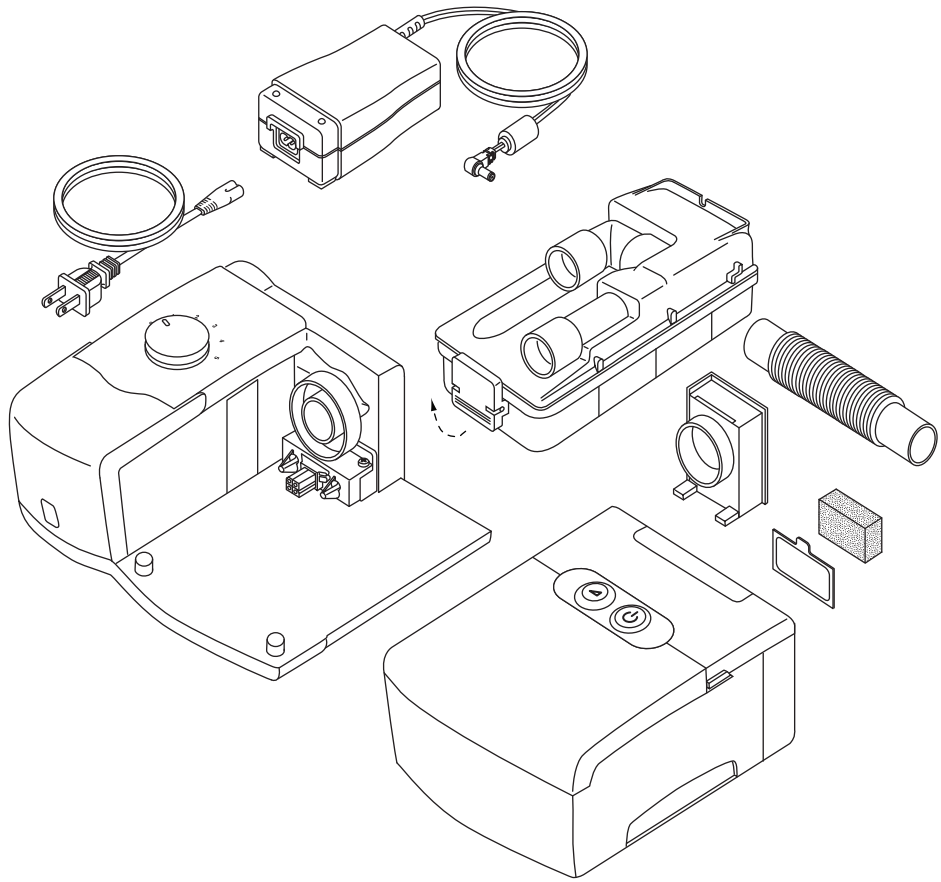
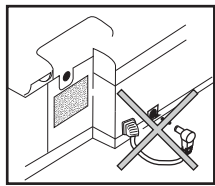
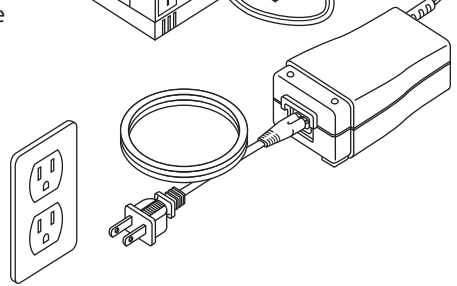
M Series Quick Start Guide

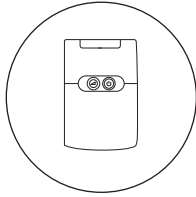


Final system setup for the device.

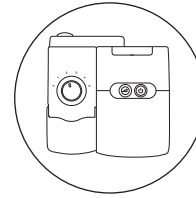
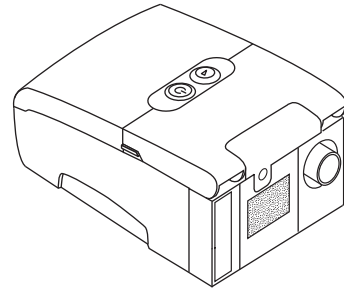


Final system setup for the device and the humidifier.

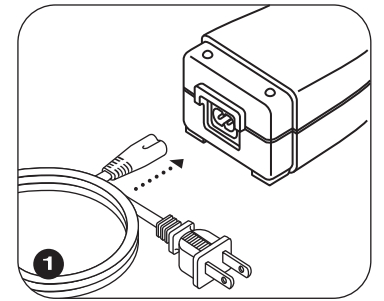




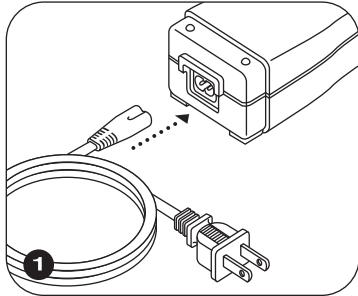
Complete the following steps to set up your M Series device.



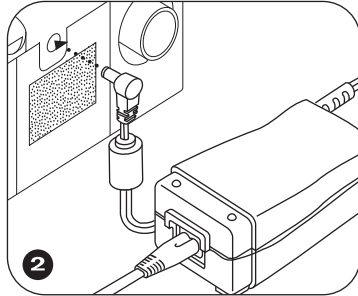
Complete the following steps to set up your M Series device and humidifier.



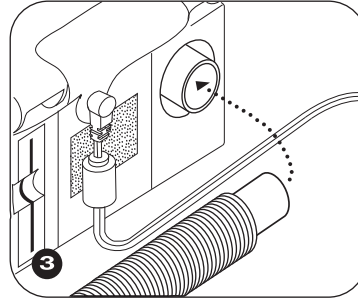
1 Plug the AC power cord into the power supply, then plug the power cord into an electrical outlet.



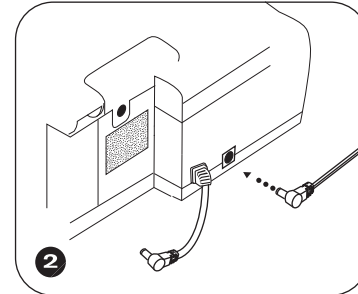
1 Plug the AC power cord connector into the power supply, then plug the power cord into an electrical outlet.



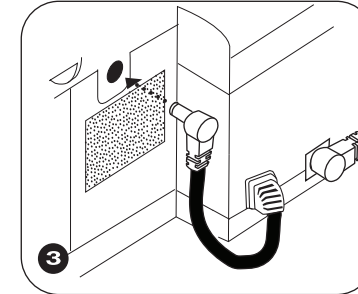
2 Plug the power supply cord connector into the device.



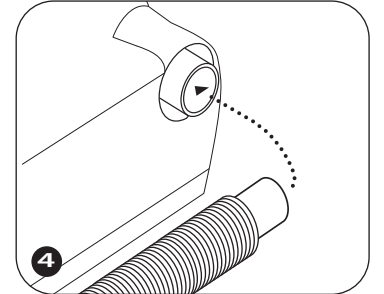
3 Attach the tubing directly to the air outlet port.



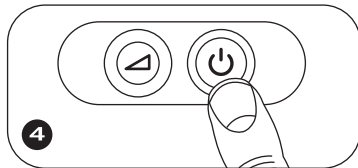
2 Plug the therapy device power cord into the humidifier.



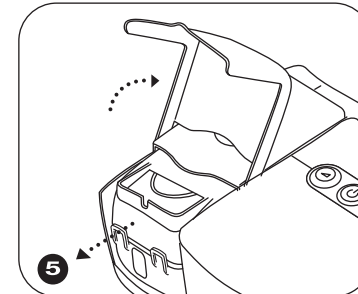
3 Plug the humidifier's short power supply cord into the device



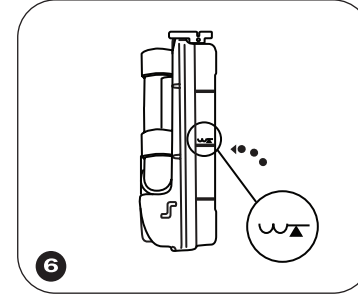
4 Attach the tubing directly to the air outlet.



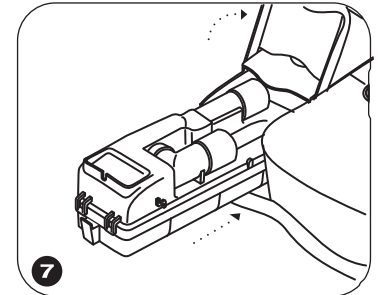
4 Press the  button to begin therapy.



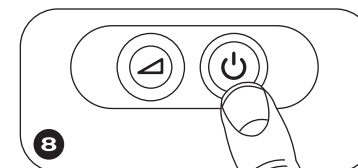
5 Lift the humidifier door to access the water tank.



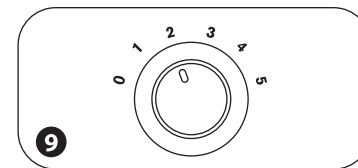
6 Fill the tank with water until it reaches the fill line.



7 Place the water tank back in the humidifier.



8 Press the  button to begin therapy.



9 Turn the humidifier knob to the desired setting.

CAUTION

DO NOT TIP OR TRANSPORT THE DEVICE WITH WATER IN THE HUMIDIFIER TANK.